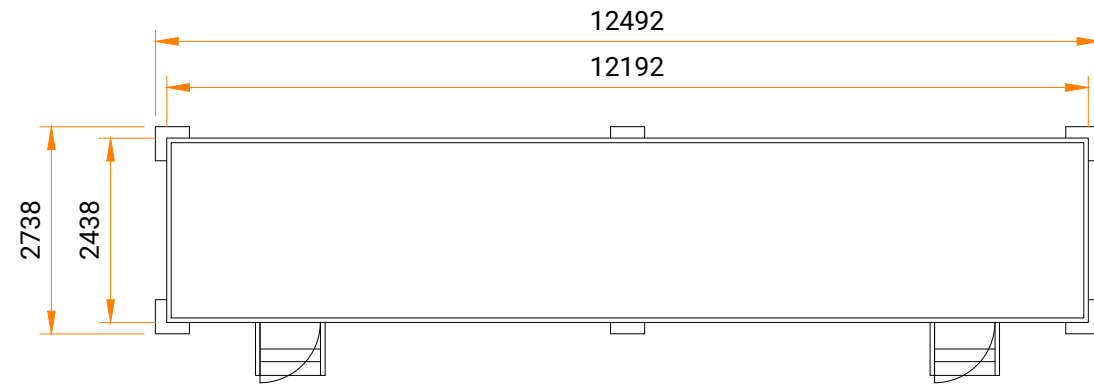
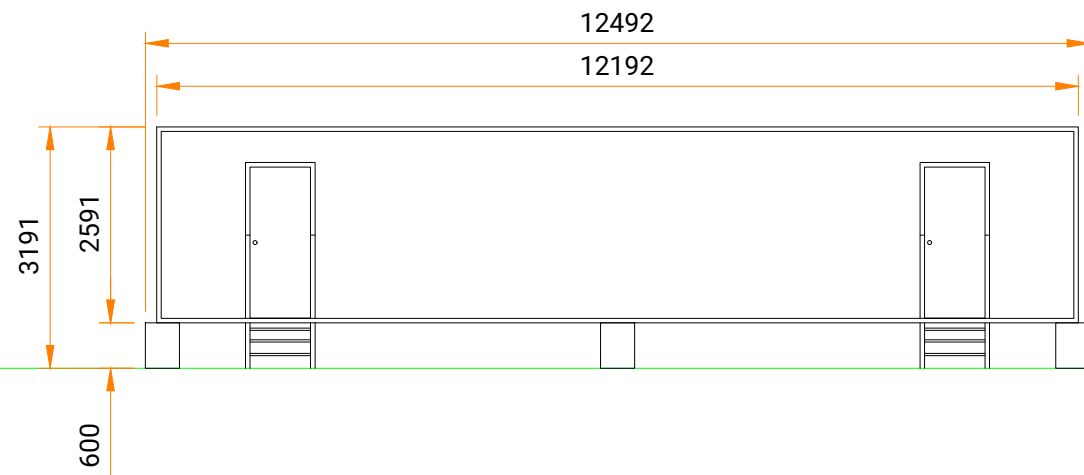


Notes:

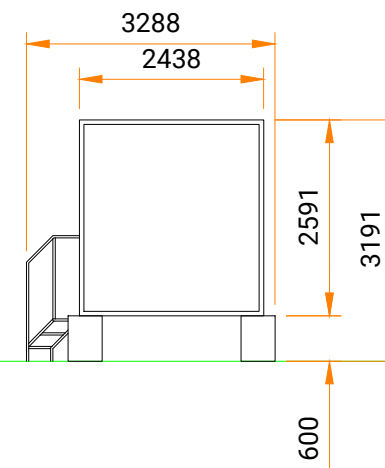
- 1. All details are indicative only.



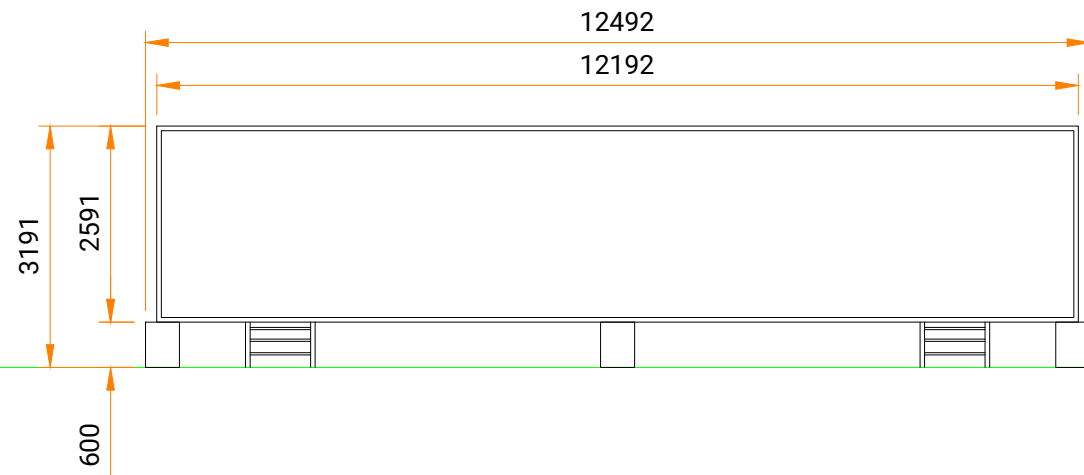
Inverter substation
Plan view
scale 1:100 @A3



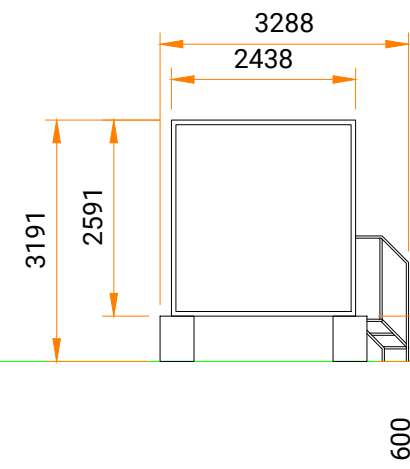
Inverter substation
Front elevation
scale 1:100 @A3



Inverter substation
Side elevation 1
scale 1:100 @A3



Inverter substation
Rear elevation
scale 1:100 @A3



Inverter substation
Side elevation 2
scale 1:100 @A3

REVISIONS				
REV	DATE	COMMENTS	BY	CHKD
-	16.03.20	First issue	SS	CM



CLIENT	JBM Solar
PROJECT	Halloughton Solar Farm
LOCATION	Halloughton, Southwell, Nottinghamshire
TITLE	Typical Inverter Substation Details
DWG NO	JBM-HALLOU-SD-04
REV	-



Helioworks Limited is a limited company registered in England and Wales. Company Registration No. 10736605.
Registered Office: 85 Great Portland Street, First Floor, London W1W 7LJ.
This drawing or any part of it may not be reproduced without prior consent. Do not scale.
Always check dimensions on site. Always check you are viewing the latest version.